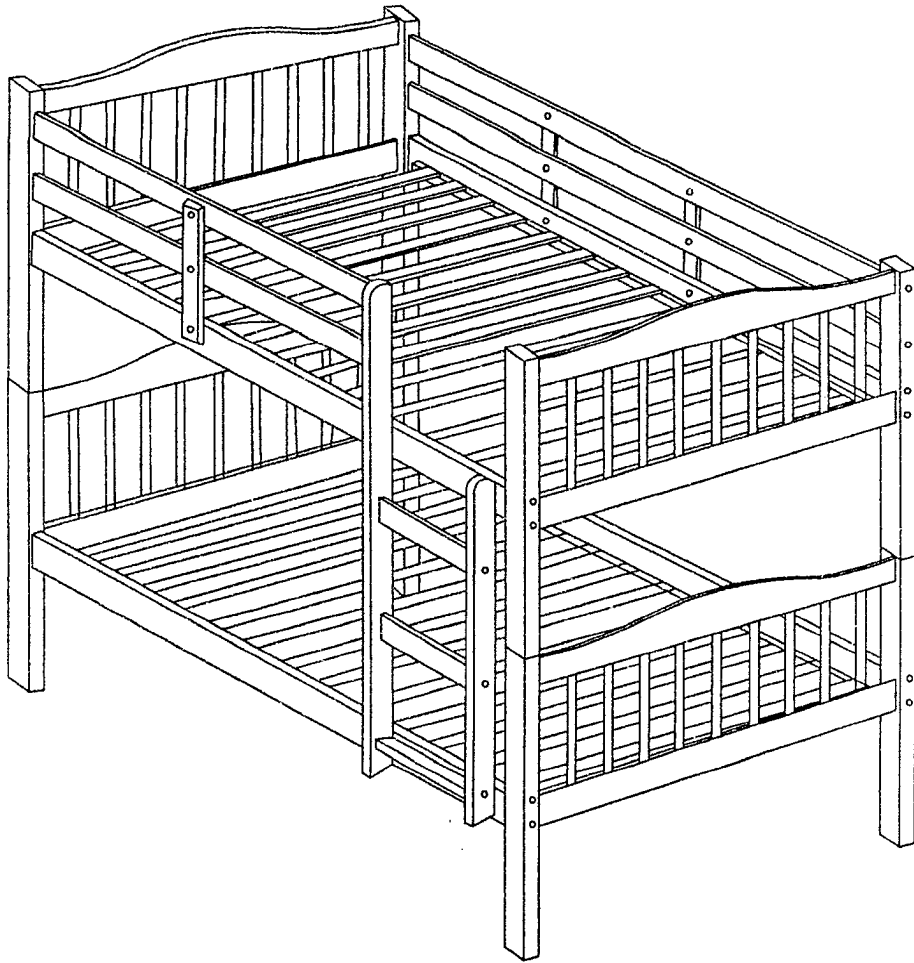


Model: B27/B27MH/B27WH



**ASSEMBLY TIPS:**

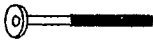
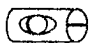

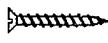
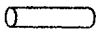


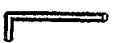
1. Remove hardware from box and sort by size.
2. Please check to see that all hardware and parts are present prior start of assembly.
3. Please follow attached instructions in the same sequence as numbered to assure fast and easy assembly




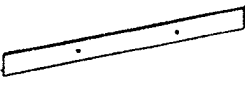

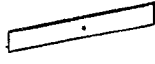


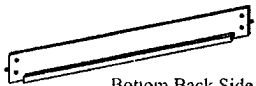
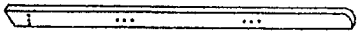
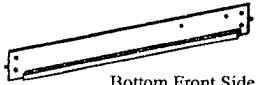
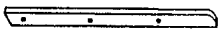

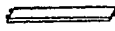
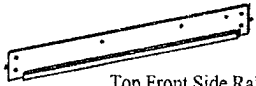
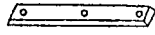
**Warning!**

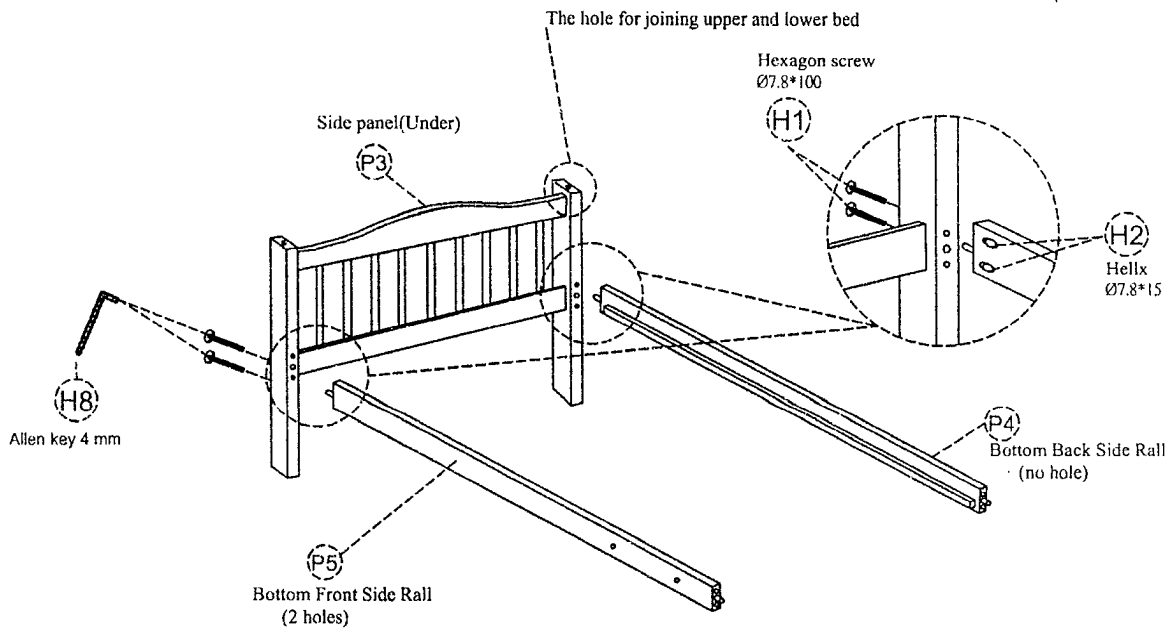
1. Don't attempt to repair or modify parts that are broken or defective. Please contact the store immediately.
2. This product is for home use only and not intended for commercial establishments.
3. Two persons are required for assembly.

# PARTS LIST

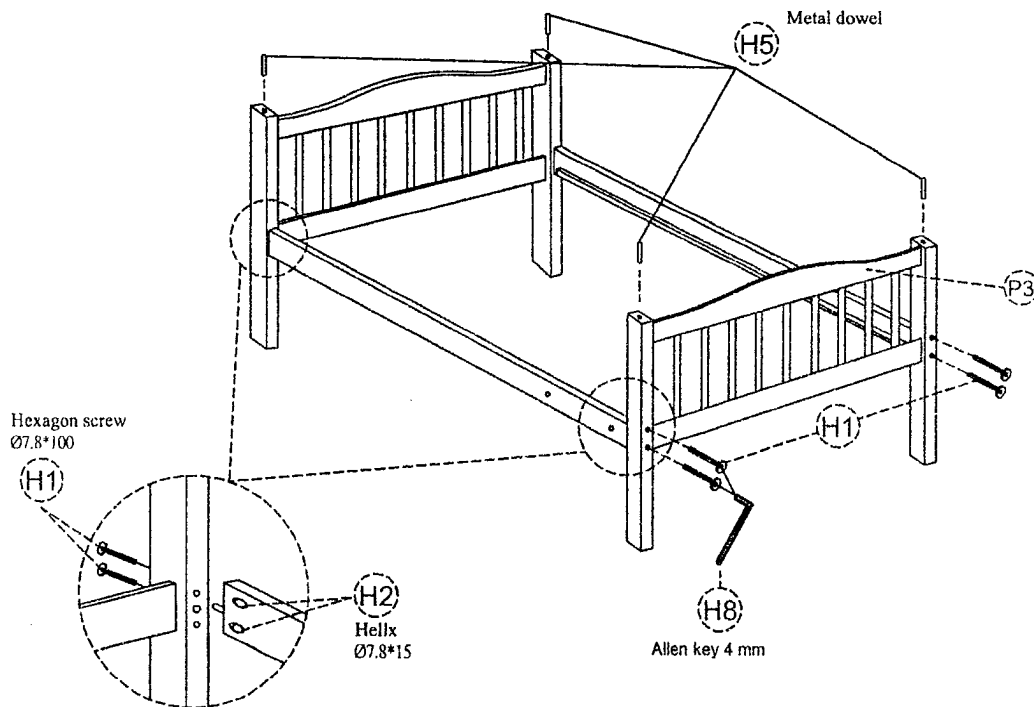
NO	DRAWING	DESCRIPTION	SIZE	Q'ty
H1		HEXAGON SCREW:	Ø7.8*100	22pcs
H2		HELIX:	Ø7.8*15	22pcs
H3		HEXAGON SCREW:	Ø6.3*35	9pcs
H4		SCREW:	Ø4*30	52pcs
H5		METAL DOWEL:	Ø10*90	4pcs
H6		HEXAGON SCREW:	Ø6.3*40	6pcs
H7		HEXAGON SCREW:	Ø6.3*50	6pcs
H8		ALLEN KEY:	4MM	1pc

## Component List

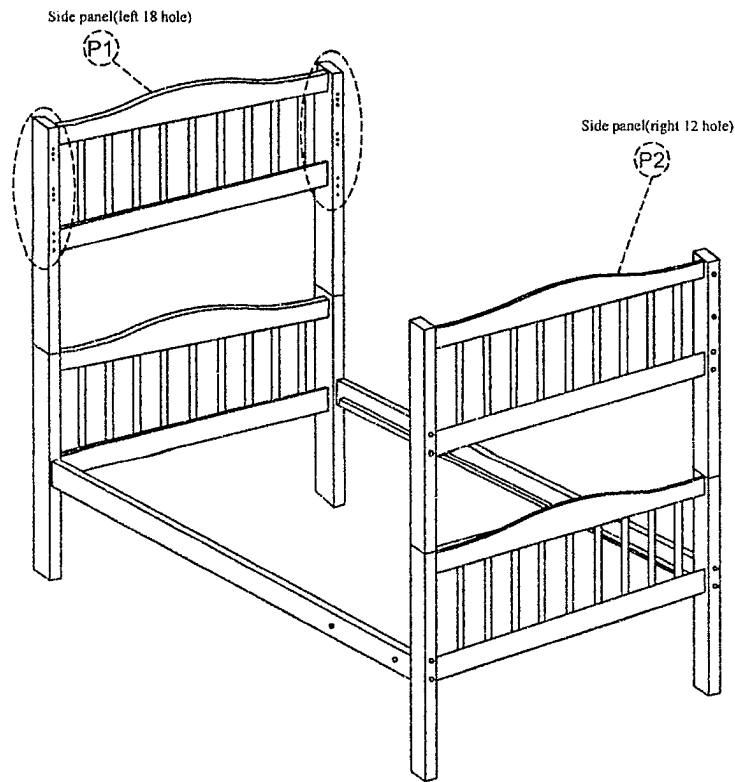
NO	DESCRIPTION	Q'ty	NO	DESCRIPTION	Q'ty
P1	Side panel (left 18 hole) 	1pc	P8	 Back Guard Rails(2 holes)	2pcs
P2	Side panel (right 12 hole) 	1pc	P9	 Front Guard Rails(1 hole)	2pcs
P3	Side panel (Under) 	2pcs	P10	 Slats	26pcs
P4	 Bottom Back Side Rail (no hole)	1pc	P11	 Ladder post(left)	1pc
P5	 Bottom Front Side Rail (2 holes)	1pc	P12	 Ladder post(right)	1pc
P6	 Top Back Side Rail (2 holes)	1pc	P13	 Ladder steps	3pcs
P7	 Top Front Side Rail (3 holes)	1pc	P14	 Guard Rails Retainers	3pcs



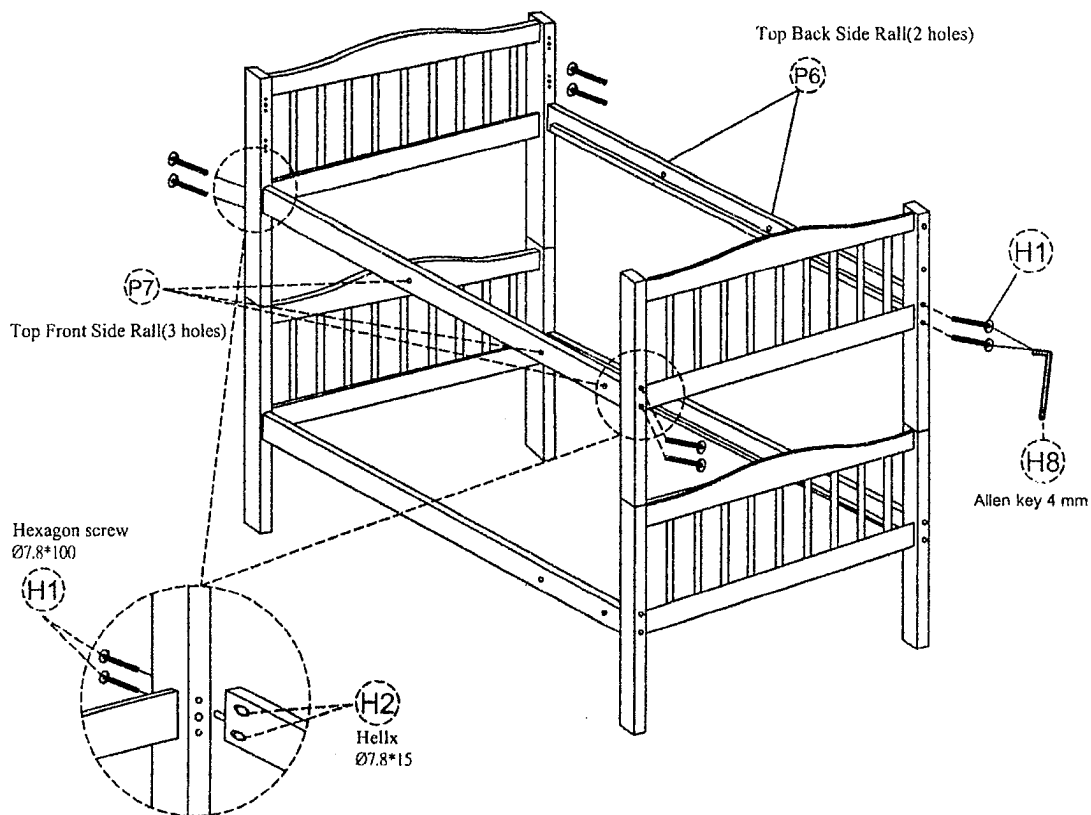
**Step 1:** Put the side panel(P3) beside the wall and attach the bottom back side rail(no hole)(P4) and bottom front side rail(2 holes)(P5) joining them to the lower left headboard by hexagon screw 7.8x100(H1) and helix 7.8x15(H2) after that tighten screws by allen key 4mm(H8).



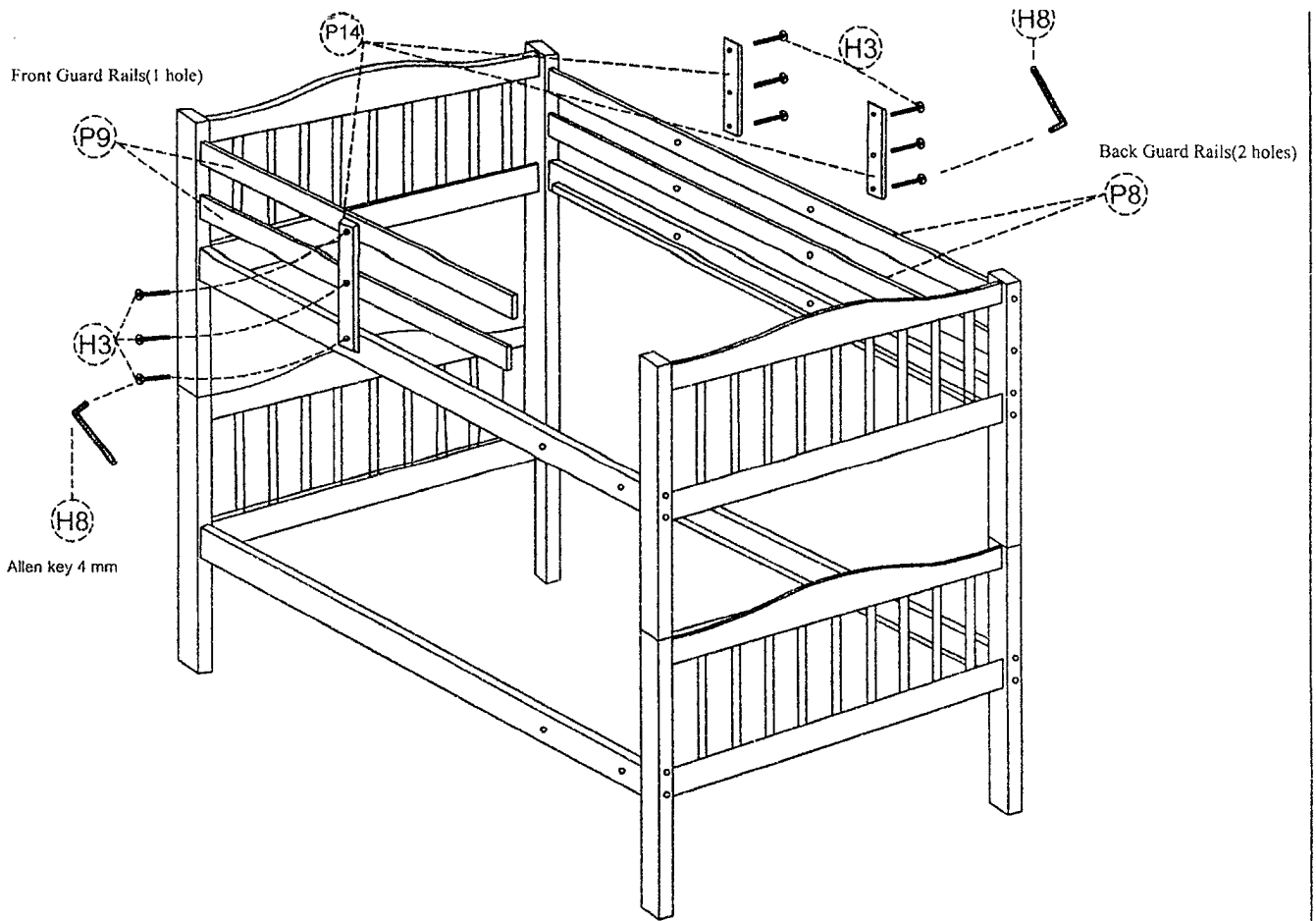
**Step 2:** Attach the bottom back side rail(P4) and bottom front side rail(P5) join them to side panel (P3) and tighten screws by allen key 4mm and put 4pcs metal dowels(H5) into the holes joining bed.



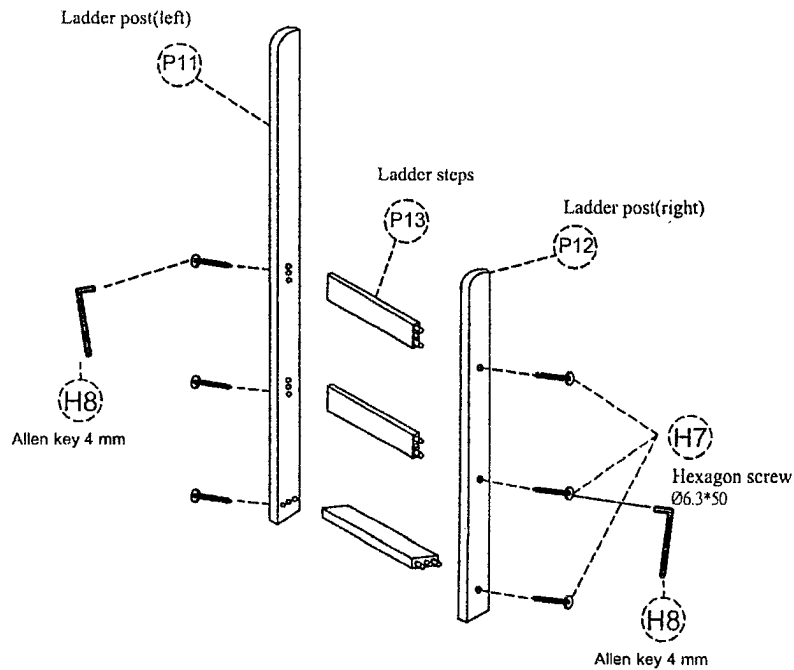
Step 3: Join the side panel (18 holes) marked (P1) and side panel (12 holes) marked (P2) with lower bed as it above the picture.



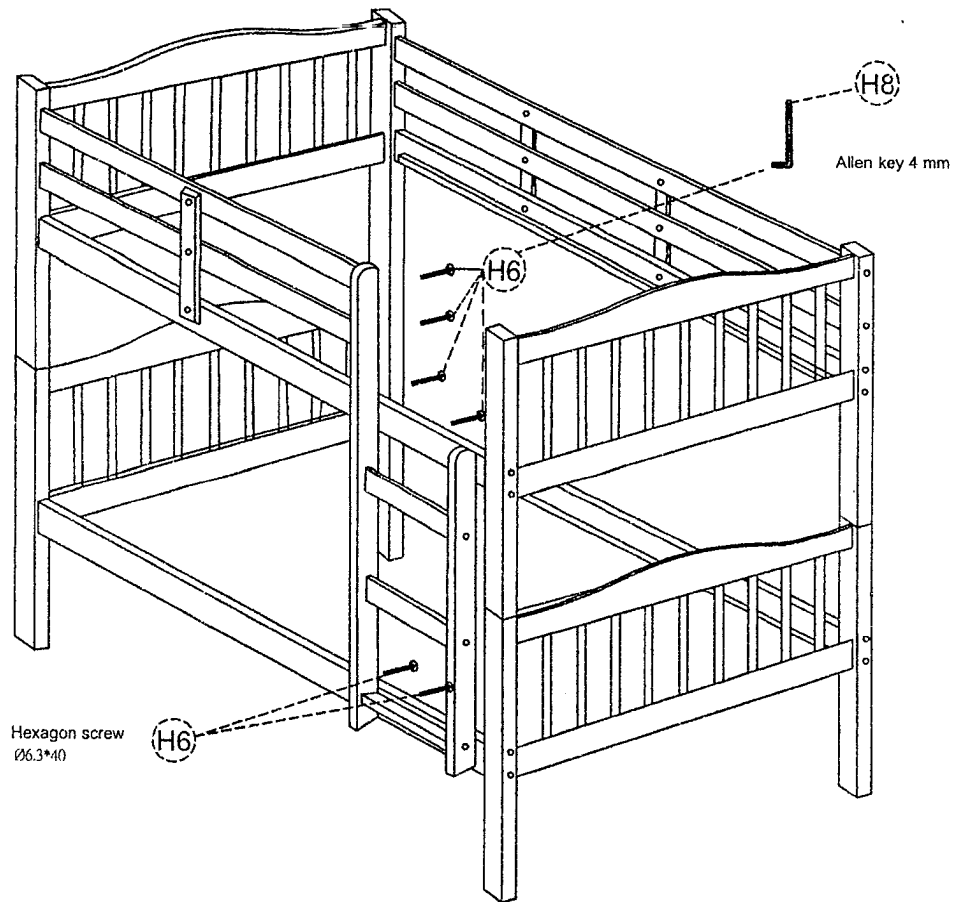
Step 4: Attach the top back side rail (2 holes) marked (P6) and top front side rail (3 holes) (P7) with side panel (P1) and side panel (P2) by using screws (H1) and helix (H2) but do not fully tighten screws by allen key 4mm (H8).



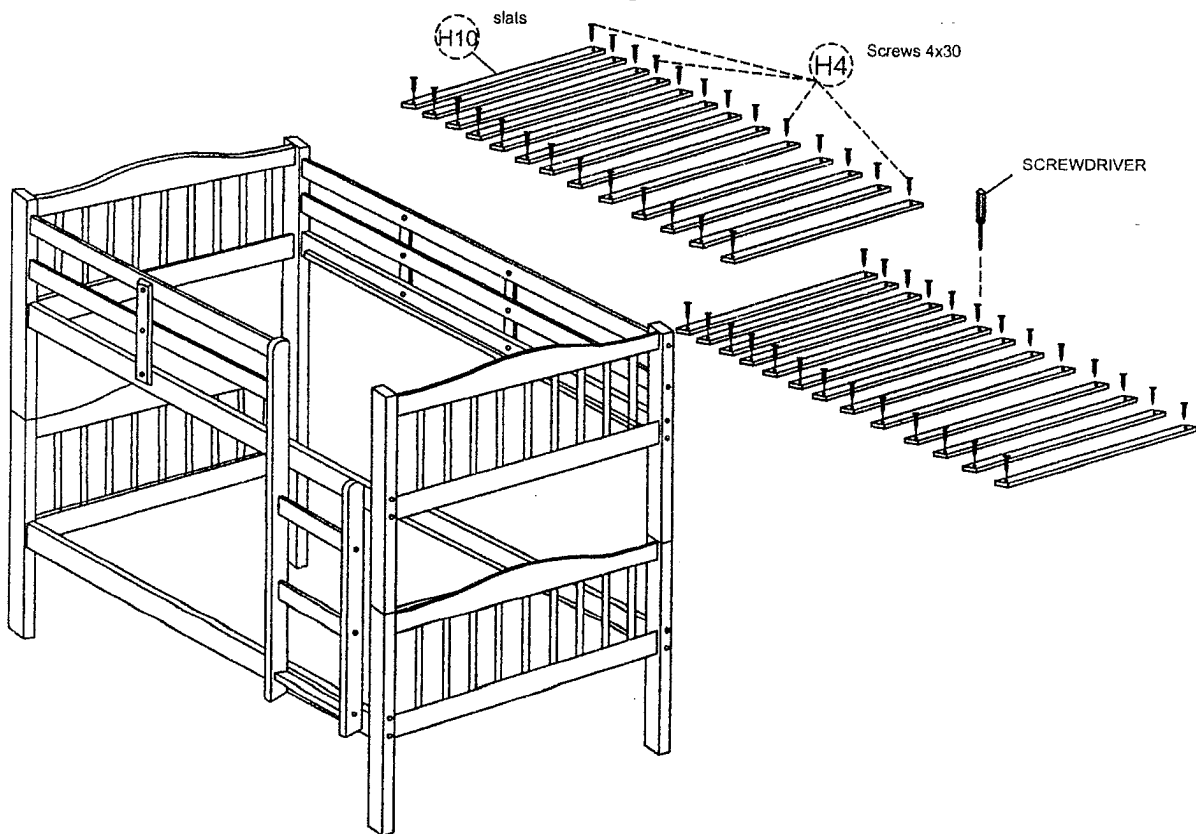
Step 5: Attach the back guard rail(2 holes) marked(P8) and front guard rails(1 hole) marked (P9) with upper side panels and linking 3 guard rail retainers marked(P14) with together by screws(H3) and using allen key 4 mm marked(H8).



Step 6: Set up the ladder according to instruction as the above picture and tighten screws by allen key 4 mm.



Step 7: Attach the ladder with the bunk bed, with screws(H6) and tighten screws by allen key 4mm from inside of the bunk bed as the above picture.



Step 8: Tighten all screws, put 13 slats for each of bed and use screws marked(H4) and tighten all slats by screwdriver (not provide) as the above picture.