

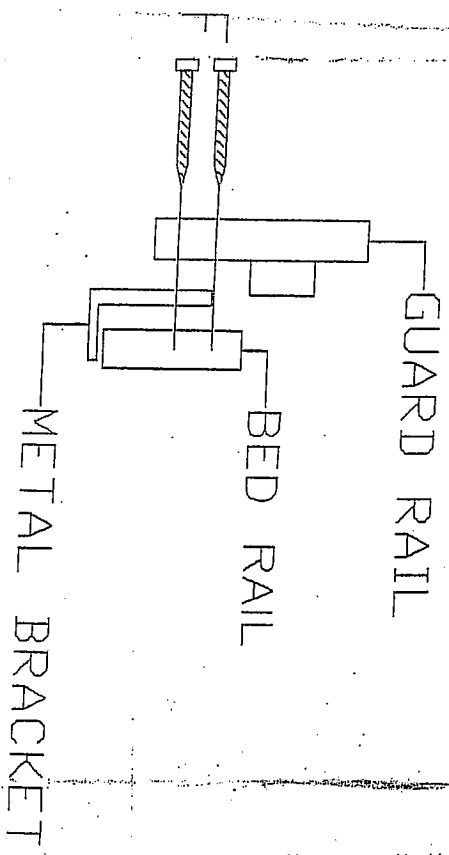
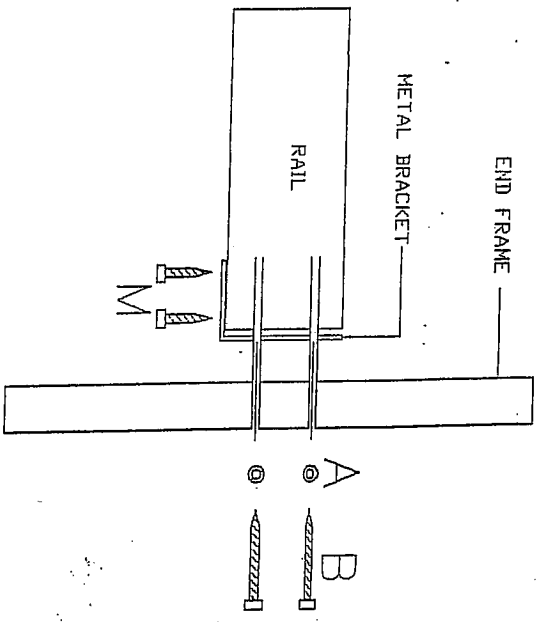


WOODCREST CERTIFIED

This Bunk Bed Model Tested by
an Independent Laboratory for
Compliance with ASTM F-1427
Standard Consumer Safety
Specification for Bunk Beds and
Code of Federal Regulations
(CFR) 1213 "Safety Standards for
Entrapment Hazards in Bunk Beds"
and Code (CFR) 1513
"Requirements for Bunk Beds"

★ ★ ★ ★ ★
MADE IN U.S.A.
BUY AMERICAN

METAL BRACKET ASSEMBLY



WOODCREST MANUFACTURING
150 WASHINGTON * P.O. BOX 848 PERU, IN 46970
765-472-4471

MODEL-LF6200

- 1) FOLLOW THE INFORMATION ON THE WARNINGS APPEARING ON THE UPPER BUNK END STRUCTURE AND ON THE CARTON. DO NOT REMOVE WARNING LABEL FROM BED.
- 2) ALWAYS USE THE RECOMMENDED STEEL MATTRESS OR MATTRESS SUPPORT, OR BOTH TO PREVENT THE LIKELIHOOD OF ENTRAPMENT OR FALLS.
- 3) SURFACE OF MATTRESS MUST BE AT LEAST 5" BELOW THE UPPER EDGE OF GUARDRAILS.
- 4) DO NOT ALLOW CHILDREN UNDER "5" YEARS OF AGE TO USE THE UPPER BUNK.
- 5) PERIODICALLY CHECK TO ENSURE THAT THE GUARDRAIL, THE LADDER, AND OTHER COMPONENTS ARE IN THEIR PROPER POSITION, FREE FROM DRAGS, AND THAT ALL CONNECTIONS ARE TIGHT.
- 6) DO NOT ALLOW HORSEPLAY ON OR UNDER THE BED AND PROHIBIT JUMPING ON THE BED.
- 7) ALWAYS USE THE LADDER FOR ENTERING AND LEAVING THE UPPER BUNK.
- 8) DO NOT SUBSTITUTE PARTS. CONTACT THE MANUFACTURER OR DEALER FOR REPLACEMENT PARTS.
- 9) USE OF A NIGHTLIGHT MAY PROVIDE ADDED SAFETY PRECEDITION FOR A CHILD USING THE UPPER BUNK.
- 10) ALWAYS USE LONG GUARDRAIL ON THE BACKSIDE OF THE UPPER BUNK.
- 11) THE USE OF PETER OR SLEEP FLOTATION MATTRESS IS PROHIBITED.
- 12) PROHIBIT MORE THAN ONE PERSON ON THE UPPER BUNK.
- 13) KEEP THESE INSTRUCTIONS FOR FURTHER REFERENCE.
- 14) IF THE BUNK BED WILL BE PLACED NEXT TO A WALL, THE GUARDRAIL THAT RUNS THE FULL LENGTH OF THE BED SHOULD BE PLACED AGAINST THE WALL TO PREVENT ENTRAPMENT BETWEEN THE BED AND WALL.

STRANGULATION HAZARD

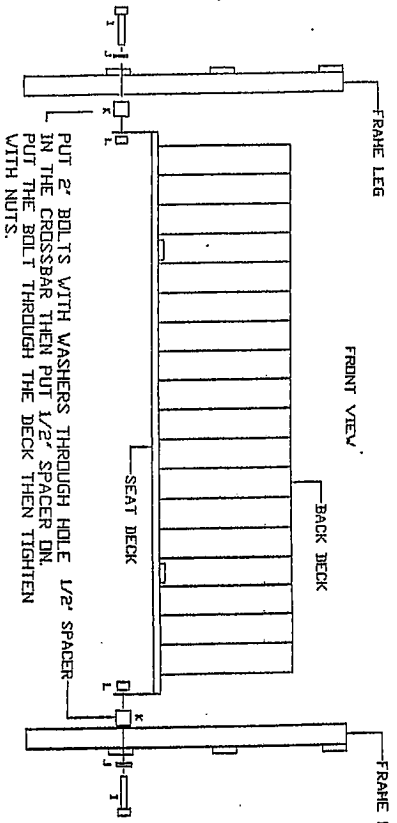
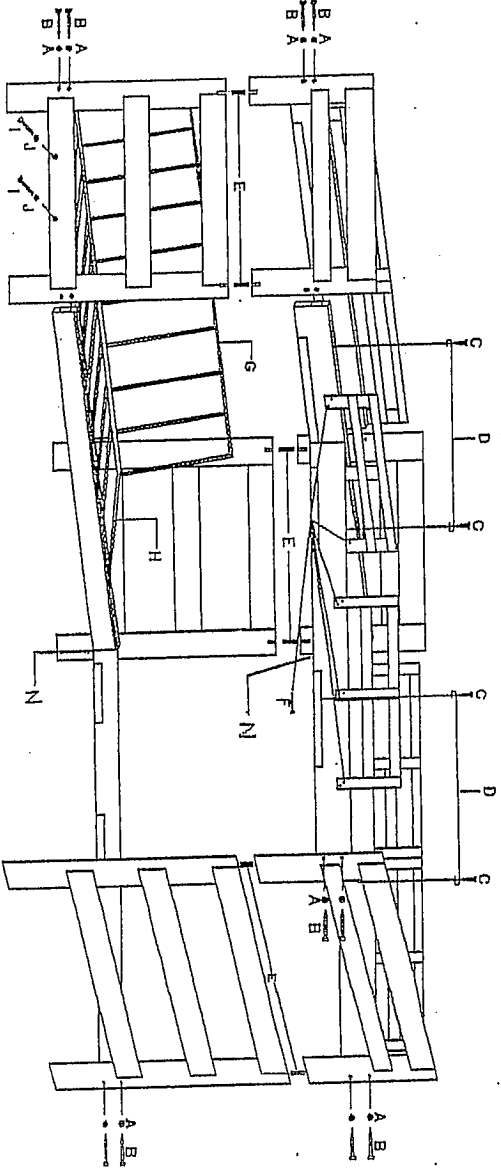
15) NEVER ATTACH OR HANG ITEMS TO ANY PART OF THE BUNK BED THAT ARE NOT DESIGNED FOR USE WITH THE BED FOR EXAMPLE, BUT NOT LIMITED TO HOOKS, BELTS, AND JUNG ROBES.

TOOLS REQUIRED

7/16" SOCKET OR NUT DRIVER
PHILLIPS HEAD SCREWDRIVER
HAMMER

PARTS

A-	1/4" FLAT WASHERS	8
B-	4" LAG BOLTS	8
C-	#14 X 3/4" SCREWS	4
D-	SAFETY WIRES	2
E-	3" DOWELS	2
M-	#8 X 1 1/4" SCREWS	10
N-	METAL BRACKETS	2



MODEL - LF6200

Model # LF6200 Futon / Bunk Bed Assembly Instructions

- Position 75" Side Rails to Lower End Frame with foundation blocks turned inside and down. Assemble with Lag Bolts (B) and Flat Washers (A). Repeat for upper Bed Frames. *Note:* Lower Frames have holes drilled to attach metal futon mechanism. Hole with "Back" stamp goes closest to wall.
- Stack Bed - Place stacking dowel (E) in dowel holes on lower bed. Carefully place upper bunk on dowels making sure all holes are properly aligned.
- Attach Right and Left Futon Mechanism using hardware (I, J, K & L) provided in Rail Package. When facing bed, with holes stamped "Back" are farthest away from you, mechanism stamped "L" goes on the Left and "R" goes on the Right. Place the 2" Bolt (G) and Washer (J) through holes in end frame, then use 1/2" spacer (K) and metal mechanism and tighten with 1/2" nut (L).
- Using Hardware and Instructions provided with metal decks, affix metal decks to the metal mechanism using black bolts, washers and lock nuts. *Note:* Seat Deck has 2 handles which face upwards during assembly.
- Safety Wires - Place safety wires (D) on top of foundation blocks 1 1/2" from the end frame. Affix with 3/4" screw (C). *Note:* Wires are a safety feature to prevent mattress from falling between foundation blocks. Wires are not to be used as foundation.
- Guard Rails - Position 2 short guard rails side-by-side on upper back rail leaving 1/8" gap between guard rail and end frame. Affix with 2" screws (F). Center 47" guard rail on front side upper rail assuring there is no more than 15" between guard rail and end frame. Affix with 2" screws (F).
- Metal Bracket - Place metal bracket between bed rail and end frame place lag bolts through bed frame and metal bracket and into bed rail and tighten. Using 1 1/4" screws (M) attach metal bracket to the bottom of bed rail. Metal tab facing out.
- Bed Rail - The rail with the two holes are for the top bunk with the futon. The extra bed will mount to the rail.

Size of Mattress and Foundation

This bed is designed to use a mattress (37 1/2" x 74") with a Bunkie board (37 1/2" x 74"). Total thickness of foundation and mattress must not exceed 6 1/2". *Note:* There must be at least 5" from mattress sleeping surface to top edge of guard rail.

REPLACEMENT PARTS

REPLACEMENT PARTS, INCLUDING ADDITIONAL GUARDRAIL, MAY BE OBTAINED FROM ANY OF OUR WOODCREST DEALERS

SIZE OF MATTRESS AND FOUNDATION

THIS BED IS DESIGNED TO USE A MATTRESS (37 1/2" x 38 1/2" x 74" - 75") AND BUNKIE BOARD (37 1/2" x 38 1/2" x 74" - 75"). THE TOTAL THICKNESS MUST NOT EXCEED 6 1/2". *NOTE:* THERE MUST BE AT LEAST 5" FROM MATTRESS SLEEPING SURFACE TO TOP EDGE OF GUARDRAIL.

PUT 2" BOLTS WITH WASHERS THROUGH HOLE 1/2" SPACER IN THE CROSSBAR THEN PUT 1/2" SPACER ON. PUT THE BOLT THROUGH THE DECK THEN TIGHTEN WITH NUTS.